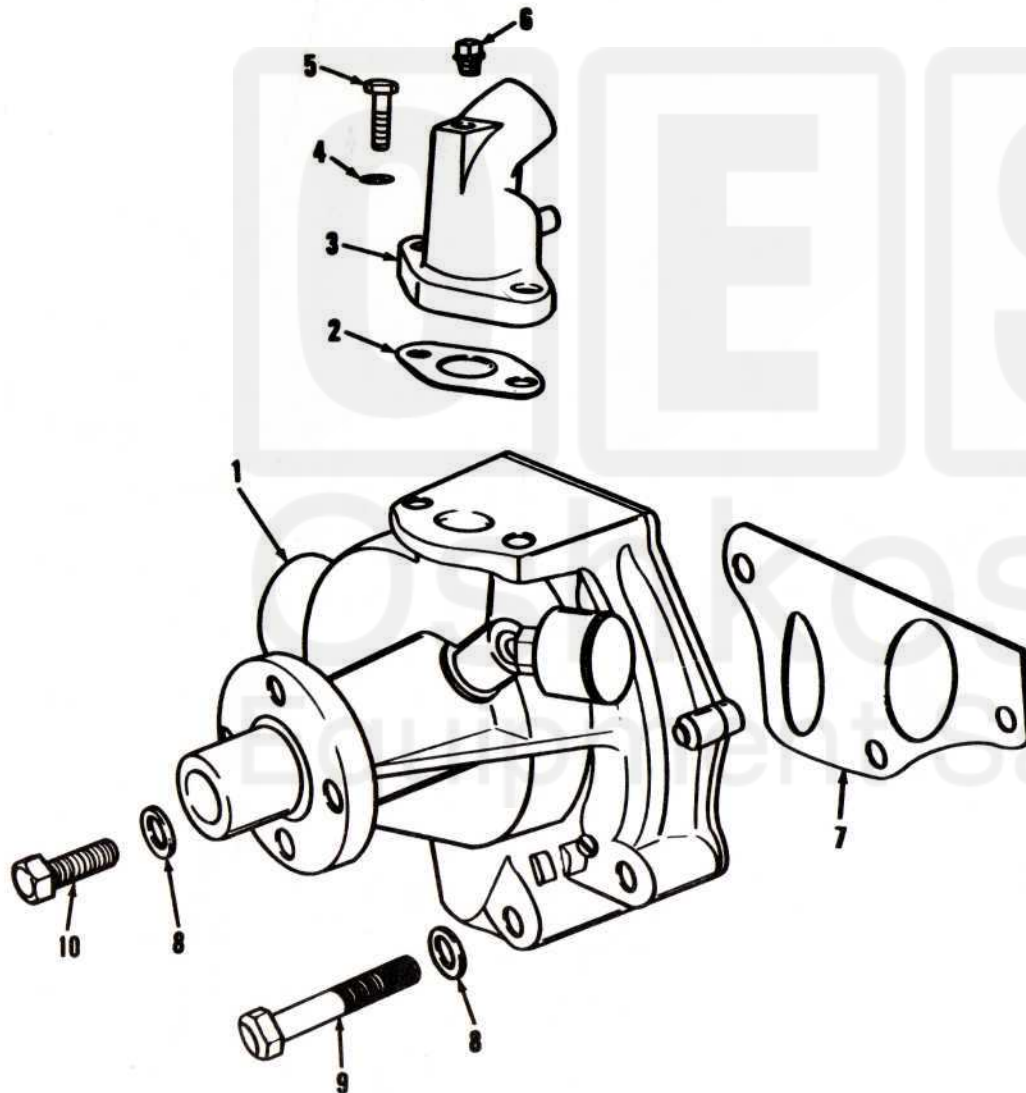


(1) SMR Code	(2) Federal Stock Number	(3) Description		(4) Unit Of Meas.	(5) Qty Inc In Unit	(6) 15-day organizational Maintenance alw				(7) Illustration	
						(a) 1-5	(b) 6-20	(c) 21-50	(d) 51-100	(a) Figure No.	(b) Item No.
		Reference number & mfg. code									
		Usable on code									
		0504—WATER PUMP									
P-O	2930-632-4048	PUMP ENGINE COOLANT: with gasket 7034646 (19207)		EA	1	*	*	*	*	16	1
P-O	2930-215-3687	GASKET: by-pass elbow 7351074 (19207)		EA	1	*	*	*	*	16	2
P-O	2930-770-6211	ELBOW: water pump by-pass 7706211 (19207)		EA	1	*	*	*	*	16	3
P-O	5310-407-9566	WASHER, LOCK: by-pass elbow MS35338-45 (96906)		EA	2	*	*	*	*	16	4
P-O	5305-225-8497	SCREW, CAP: by-pass elbow MS90725-32 (96906)		EA	2	*	*	*	*	16	5
P-O	4730-289-5176	PLUG, PIPE: by-pass elbow MS49005-8 (96906)		EA	1	*	*	*	*	16	6
P-O	2930-215-5121	GASKET: water pump mounting 7351163 (19207)		EA	1	*	*	*	*	16	7
P-O	5310-637-9541	WASHER, LOCK: water pump mounting MS35338-46 (96906)		EA	3	*	*	*	*	16	8
P-O	5305-575-1016	SCREW, CAP: water pump mounting 1407115 (12204)		EA	2	*	*	*	*	16	9
P-O	5305-269-3211	SCREW, CAP: water pump mounting MS90725-60 (96906)		EA	1	*	*	*	*	16	10
		0505—FAN ASSEMBLY									
P-O	2930-142-0144	FAN: engine cooling 8328053 (19207)		EA	1	*	*	*	*	17	1
P-O	3030-529-1334	BELT: fan and generator drive V102 (81300)		EA	1	*	*	*	*	17	2
P-O	2930-770-6194	SPACER, FAN HUB: 7706194 (19207)		EA	1	*	*	*	*	17	3

Current part is item (1) on diagram. Available at www.oshkoshequipment.com



AT 40613

Current part is item (1) on diagram. Available at www.oshkoshequipment.com

Figure 16. Water pump.